




**EDITION PRO Concealed single-lever mixer with diverter - Chrome**

36 120 626



- automatic diverter
- cover plate Ø 150 mm

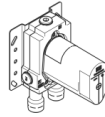
	Chrome	36 120 626-00
	Matte Black	36 120 626-33
	Brushed Chrome	36 120 626-93

**Required miscellaneous**



**EDITION PRO Concealed single-lever mixer -** 35 070 970 90  
 •max. recess depth 105 mm  
 •min. recess depth 80 mm

**Required miscellaneous**

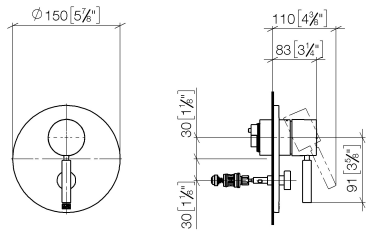


**EDITION PRO Concealed single-lever mixer with backflow preventor -** 35 071 970 90  
 •max. recess depth 105 mm  
 •recess depth 80mm

## EDITION PRO Concealed single-lever mixer with diverter - Chrome

36 120 626

mm [inches]



### Flow rate chart



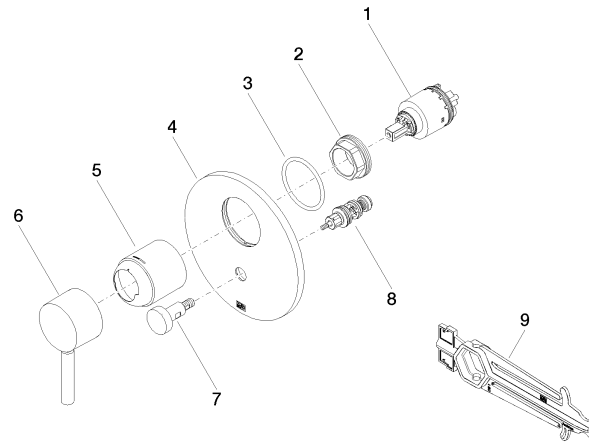
### Certificates

LGA\_19863.

WRAS\_2207012.

**EDITION PRO Concealed single-lever mixer with diverter - Chrome**

36 120 626



**Spare parts list**

No.	Item Number	Name	Quantity used	Delivery time
1	90 15 05 039 00 90	cartridge	1	2
2	09 24 04 448 90	nut	1	2
3	09 14 10 084 90	seal	1	2
4	09 11 02 261-00	plate	1	10
5	09 11 02 360-00	cover	1	60
6	90 20 66 004 00-00	handle	1	10
7	90 31 09 139 00-00	pull-rod	1	10
8	90 21 34 081 00 90	diverter	1	2
9	90 30 09 064 00 90	key	1	2